

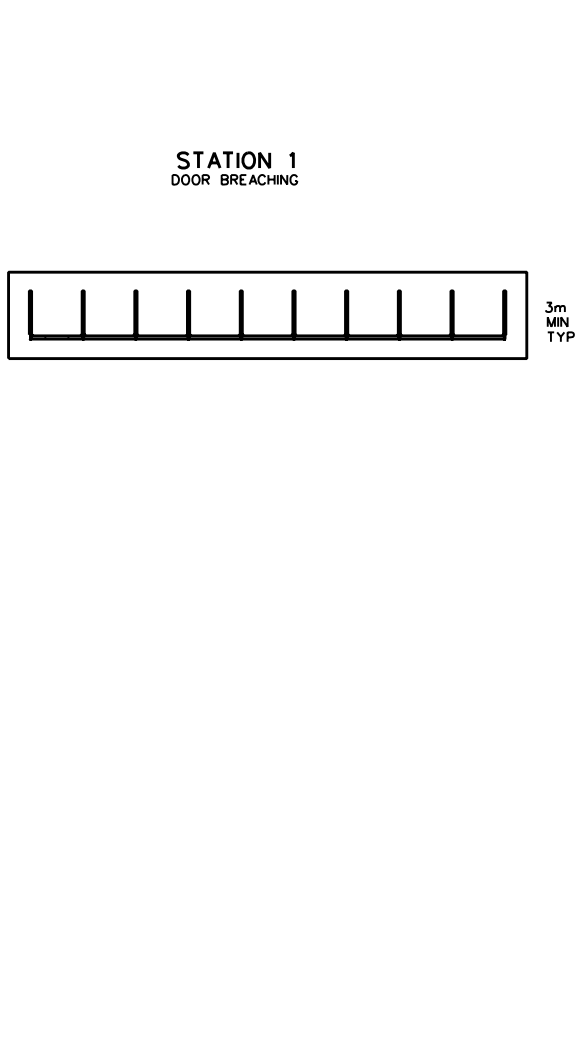
Rev.	Description	Date	Approved

Designed by:	Date:	Rev.
Drawn by:	Design file no.	
Reviewed by:	Drawing code:	
Submitted by:	File name:	
	Plot date:	
	Plot scale:	
U. S. ARMY ENGINEERING AND SUPPORT CENTER, HUNTSVILLE HUNTSVILLE, ALABAMA		
15 APR 2005		

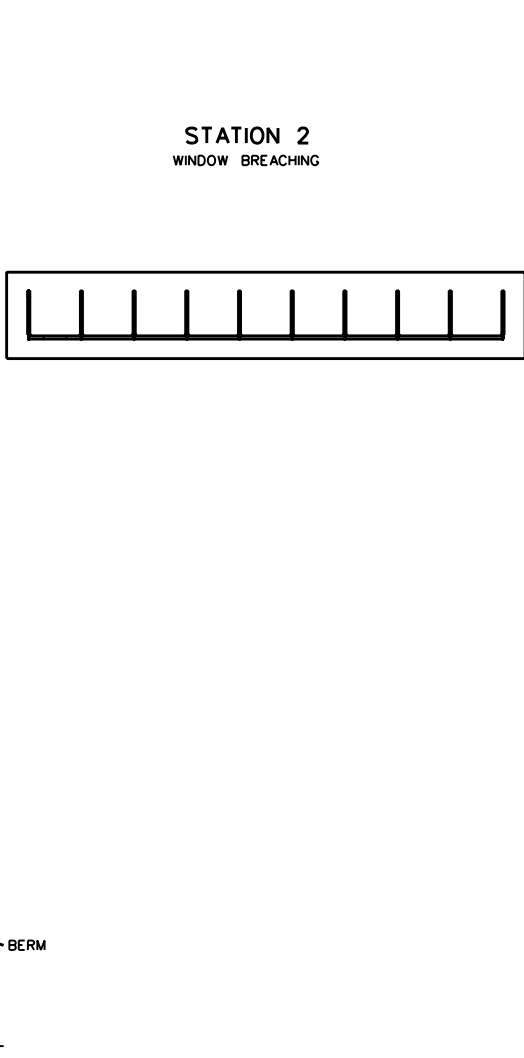
RANGE AND TRAINING LAND PROGRAM
STANDARD DESIGN MANUAL
FCC- 17904
BREACH FACILITY
SITE LAYOUT

Sheet reference number:
BCH-C-01
Sheet 1 of 1

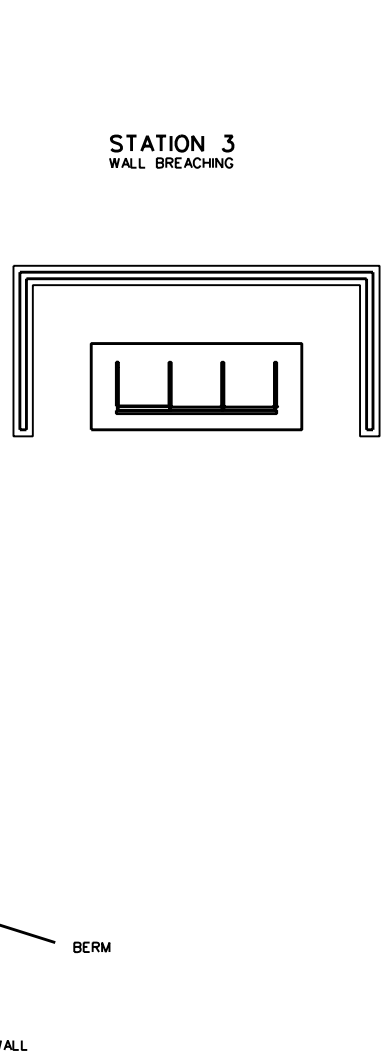
STATION 1
DOOR BREACHING



STATION 2
WINDOW BREACHING

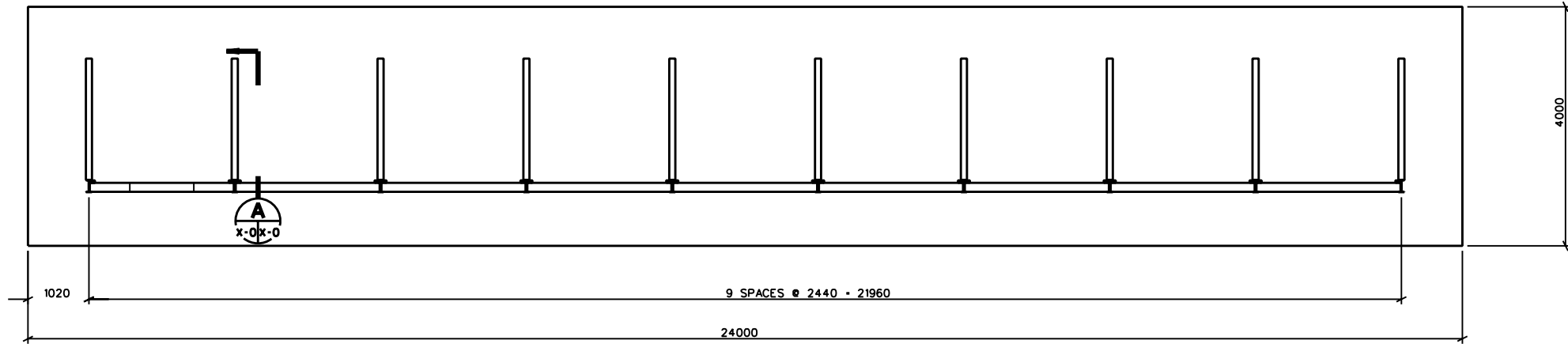


STATION 3
WALL BREACHING

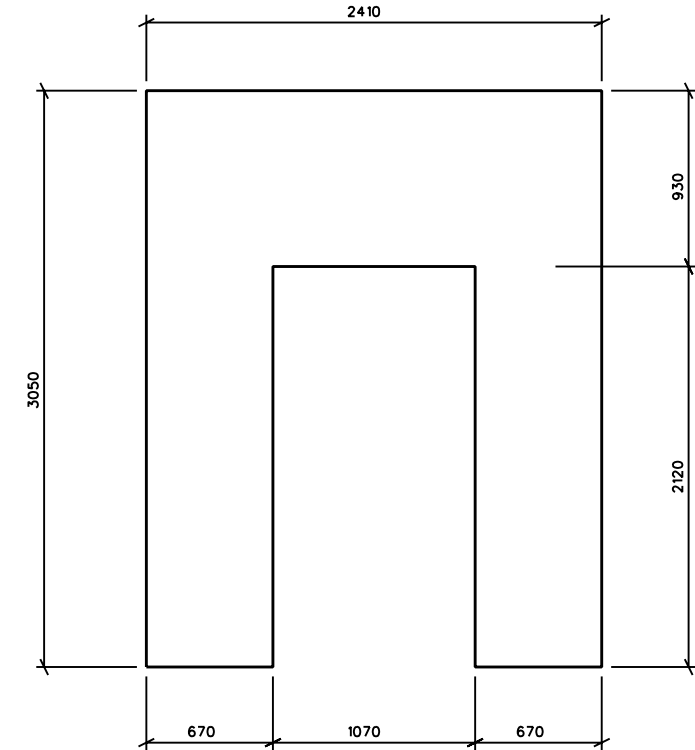


BREACH FACILITY - PLAN VIEW
SCALE : N.T.S.

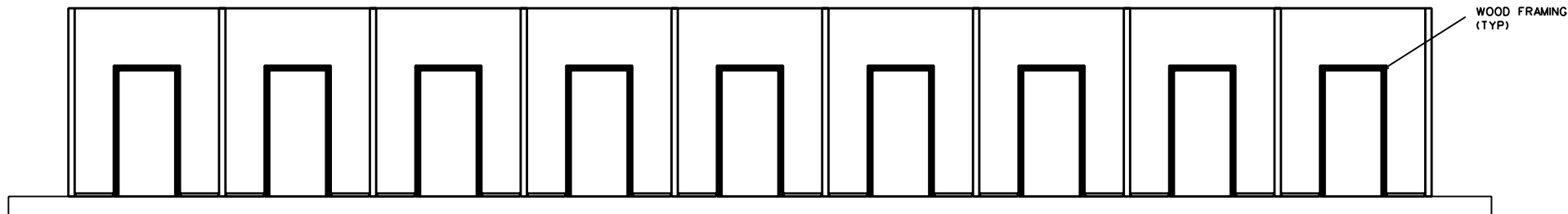
- NOTES:
1. BERMS ARE TO BE 3m HIGH AND 1m WIDE ON TOP
 2. SLOPE OF BERMS VARIES DEPENDING UPON SOIL CONDITIONS



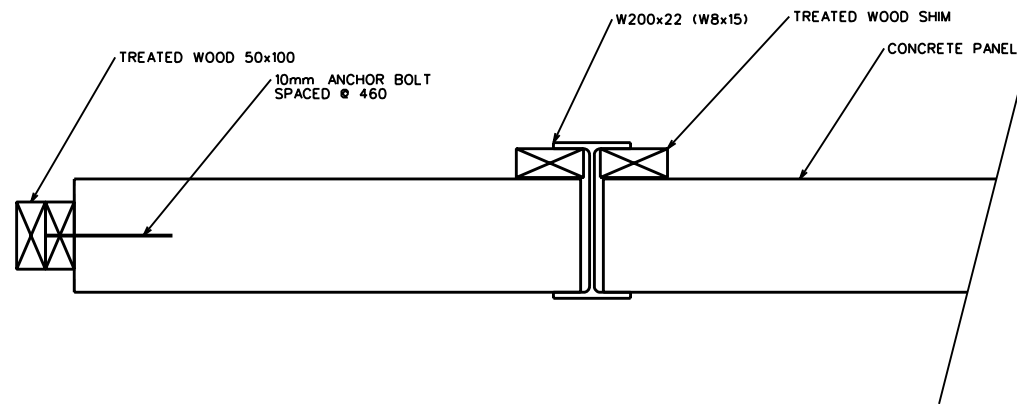
DOOR BREACH - PLAN VIEW
SCALE : 1:50



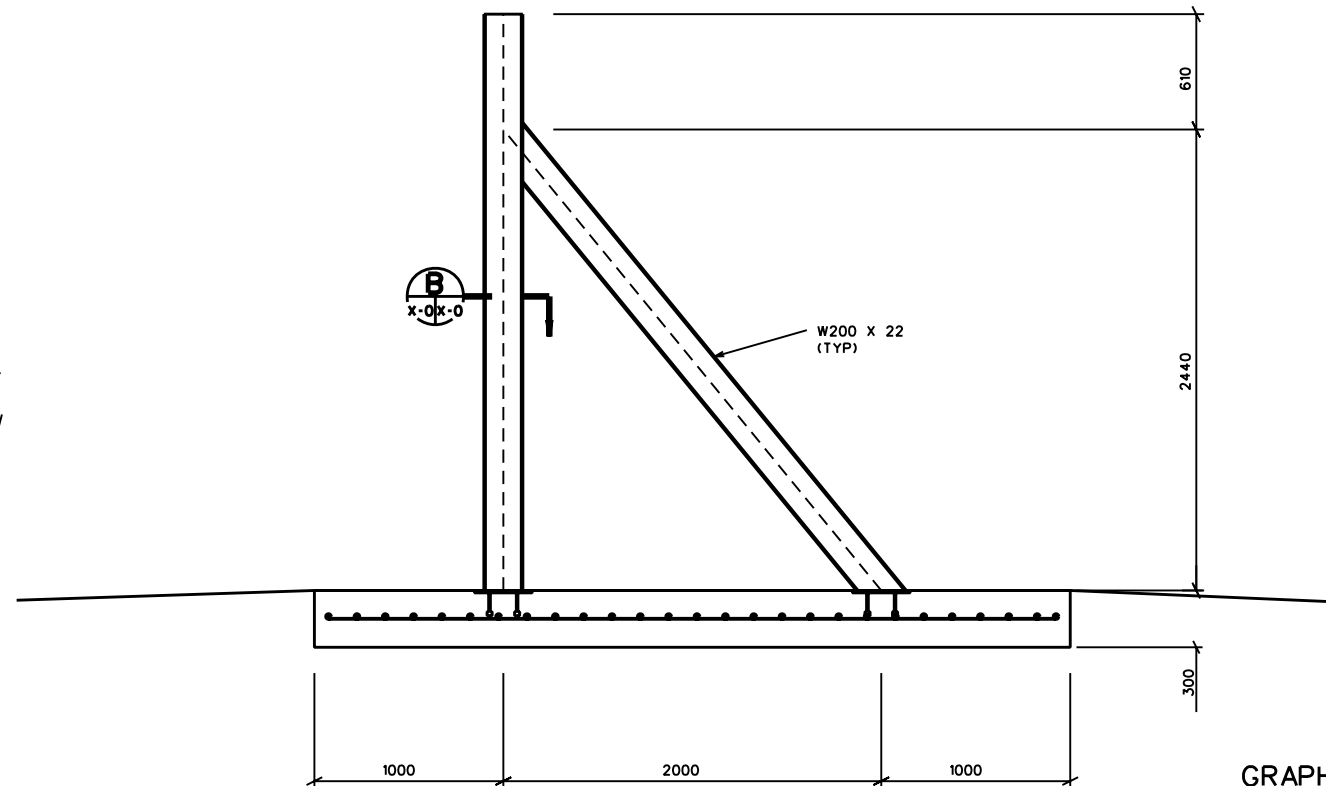
CONCRETE PANEL
SCALE : 1:20



DOOR BREACH - ELEVATION
SCALE : 1:50

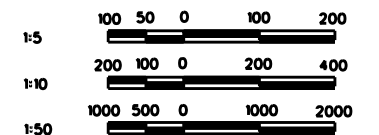


SECTION
SCALE : 1:10



SECTION
SCALE : 1:20

GRAPHIC SCALES

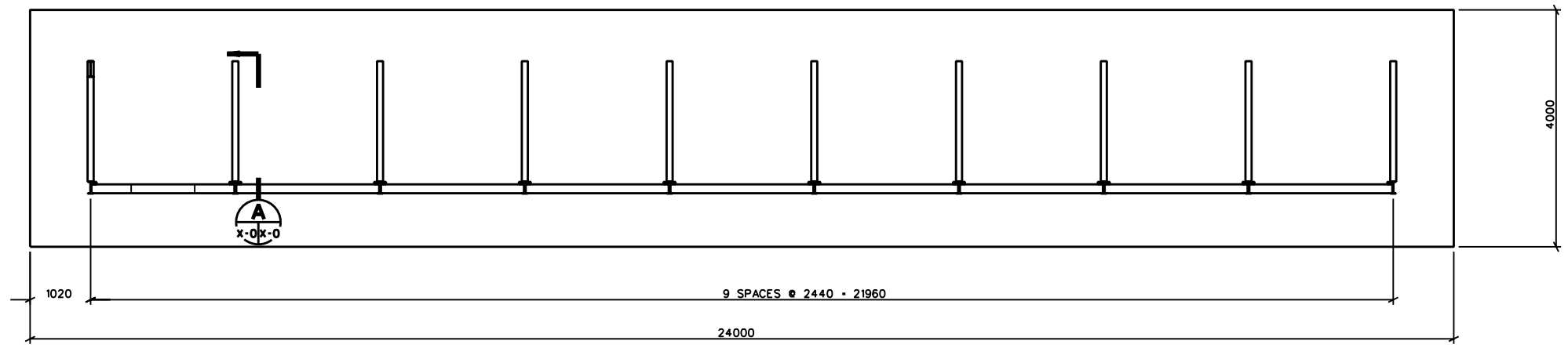


Rev.	Date	Description

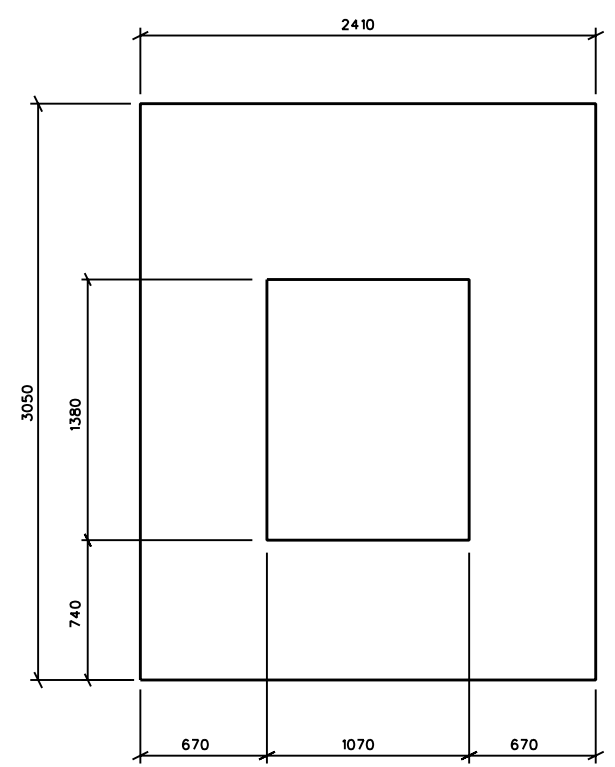
Designed by:	Date:	Rev.
Drawn by:	Design file no.	
Reviewed by:	Drawing code:	
Submitted by:	File name:	
	Plot date:	
	Plot scale:	

U. S. ARMY ENGINEERING AND SUPPORT CENTER, HUNTSVILLE HUNTSVILLE, ALABAMA

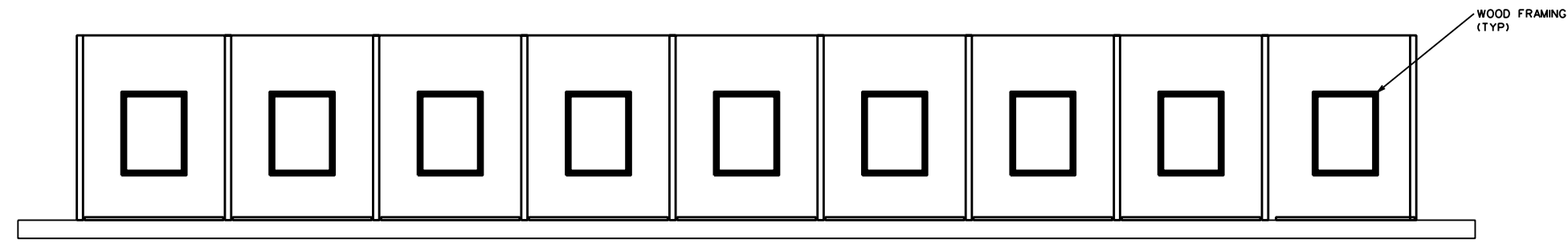
**RANGE AND TRAINING LAND PROGRAM
STANDARD DESIGN MANUAL
FCC-17904
BREACH FACILITY
STATION 1 - DOOR BREACH**



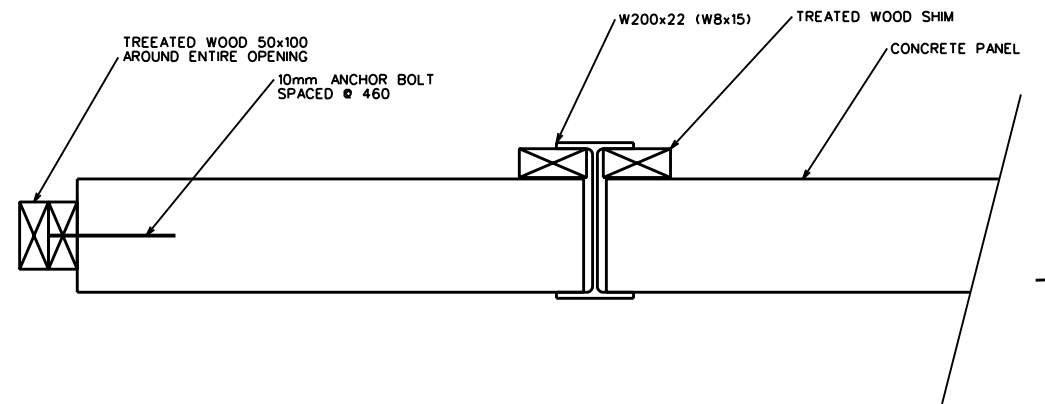
WINDOW BREACH - PLAN VIEW
SCALE : 1:50



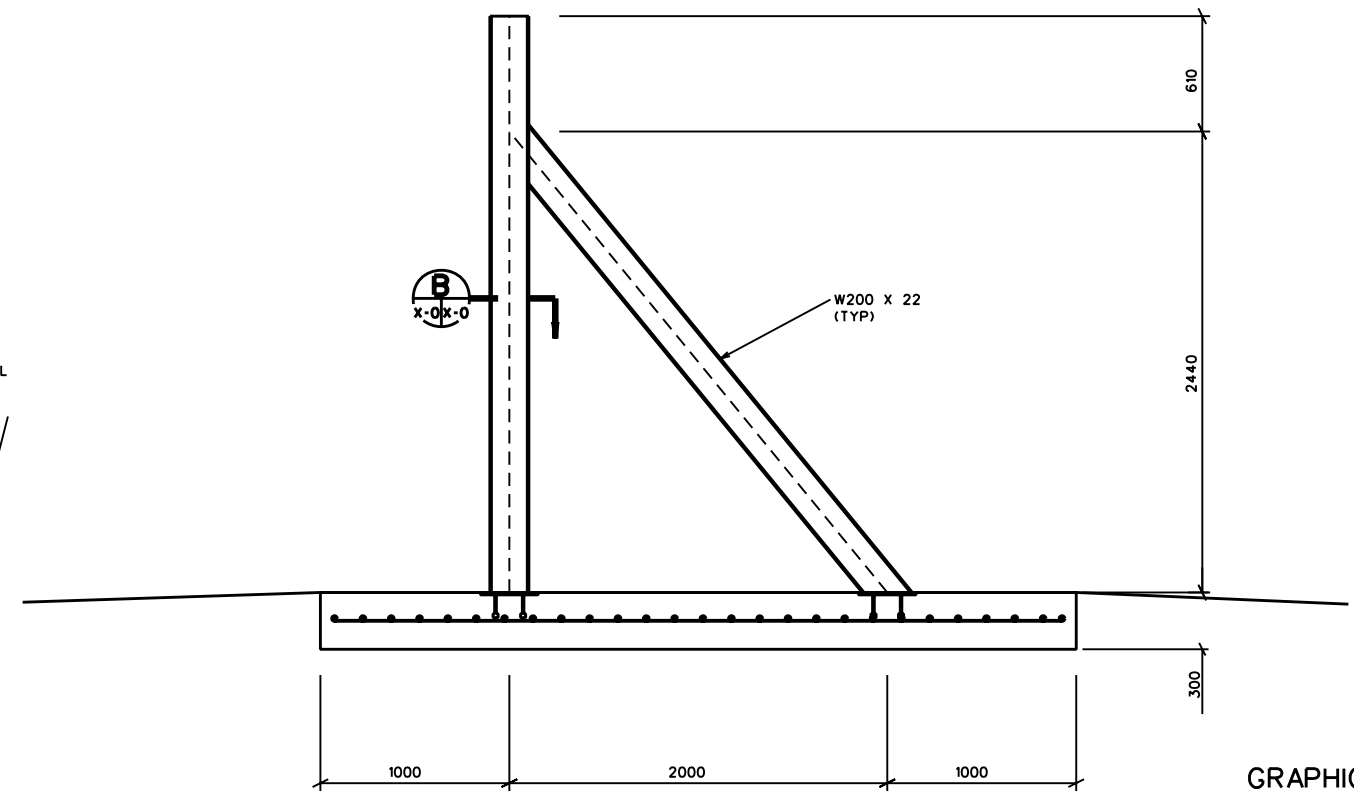
NOTE: WINDOW BREACH CONCRETE PANEL MAY BE CAST THE SAME AS THE DOOR BREACH THEN FRAMED IN WITH WOOD
CONCRETE PANEL
SCALE : 1:20



WINDOW BREACH - ELEVATION
SCALE : 1:50



SECTION
SCALE : 1:10



SECTION
SCALE : 1:20

GRAPHIC SCALES

1:5	100 50 0 100 200
1:10	200 100 0 200 400
1:50	1000 500 0 1000 2000

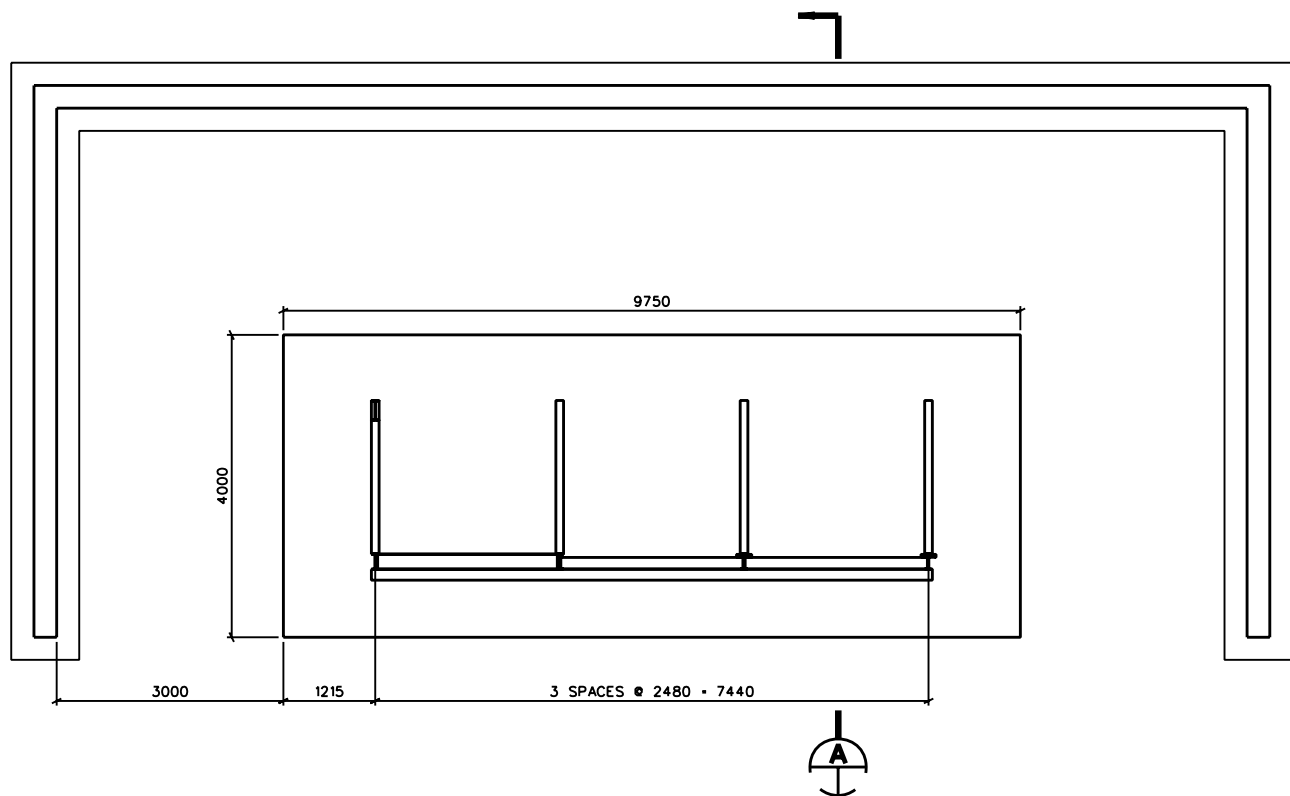
Rev.	Date	Description

Designed by:	Date:	Rev.:
Drawn by:	Design file no.:	
Reviewed by:	Drawing code:	
Submitted by:	File name:	
	Plot date:	
	Plot scale:	

U. S. ARMY ENGINEERING AND SUPPORT CENTER, HUNTSVILLE HUNTSVILLE, ALABAMA
15 APR 2005

RANGE AND TRAINING LAND PROGRAM
STANDARD DESIGN MANUAL
FCC- 17904
BREACH FACILITY
STATION 1 - WINDOW BREACH

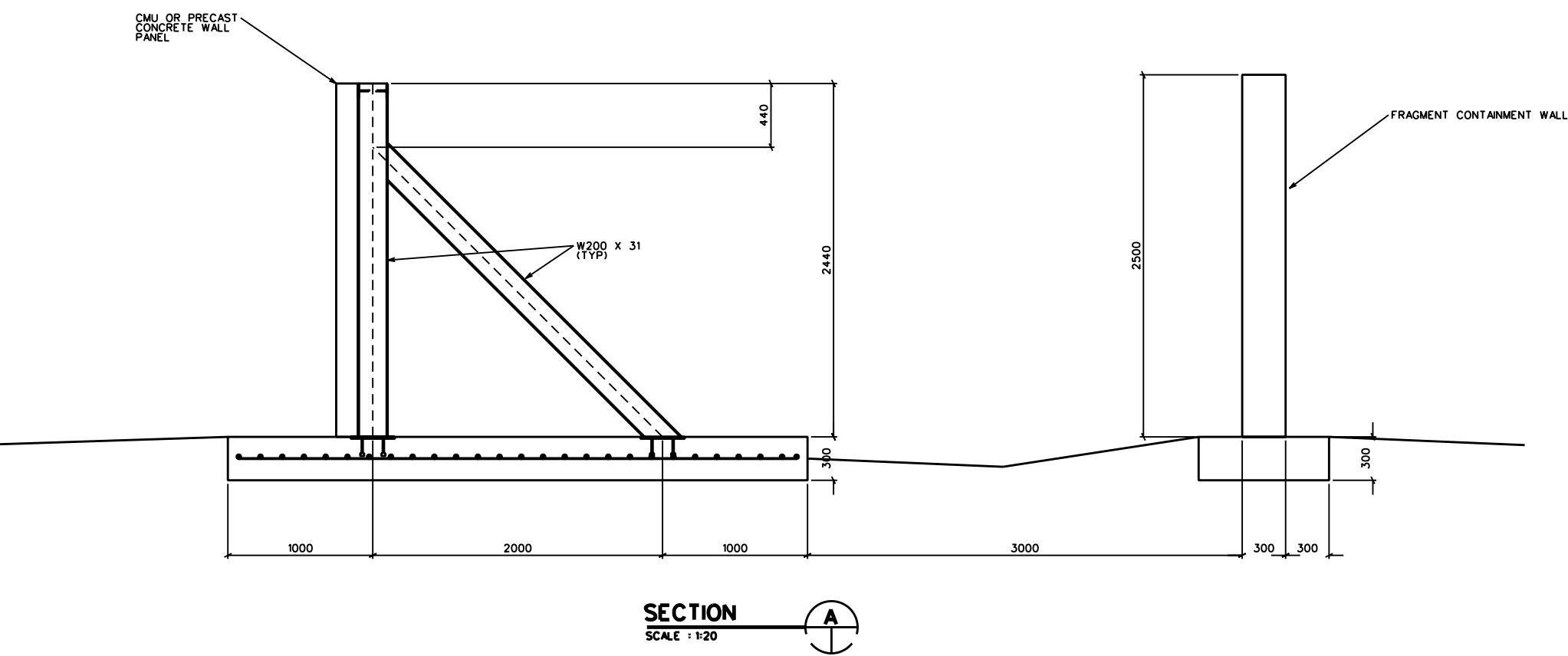
Sheet reference number:
BCH-A-02



WALL BREACH - PLAN VIEW

SCALE : 1:50

Rev.	Description	Date



SECTION A

SCALE : 1:20

Designed by:	Date:	Rev.:
Dwn by:	Design file no.:	
Reviewed by:	Drawing code:	
Submitted by:	Cd code:	
	Prod code:	
	Prod scale:	

U. S. ARMY ENGINEERING AND
SUPPORT CENTER, HUNTSVILLE
HUNTSVILLE, ALABAMA

15 APR 2005

RANGE AND TRAINING LAND PROGRAM
STANDARD DESIGN MANUAL

FCC: 17904
BREACH FACILITY
STATION 1 - WALL BREACH

Sheet
reference
number:
BCH-A-03